



HD-Series

Manual Y420336



WinnTec Europe

Rechtzaad 6, 4703 RC Roosendaal, The Netherlands, +31 165 394 018, info@winnTec.net

www.winnTec.net

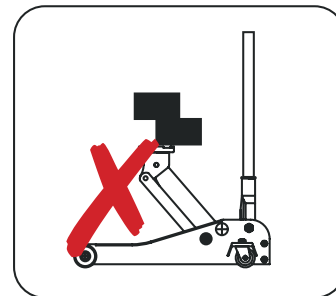
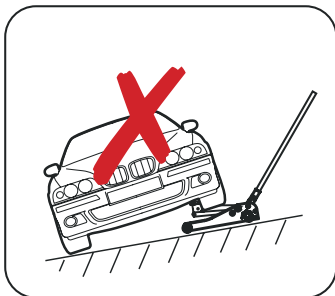
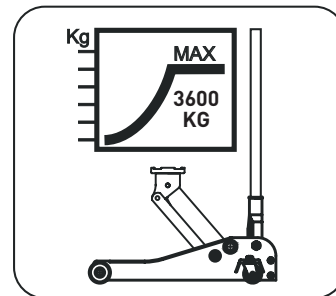
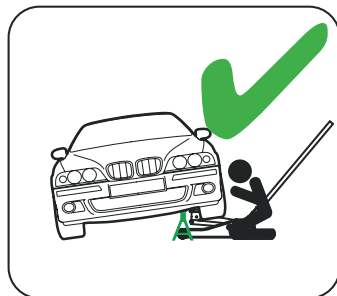
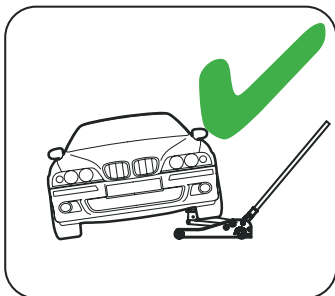
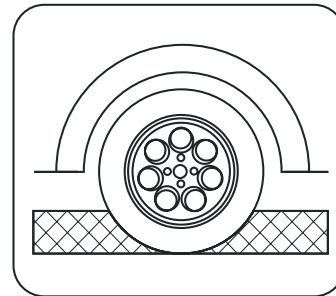


HD-Series

Manual Y420336



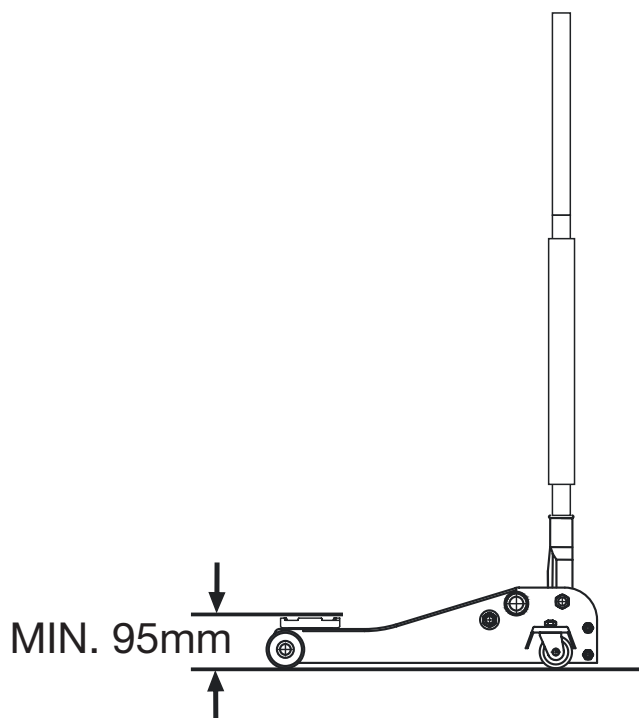
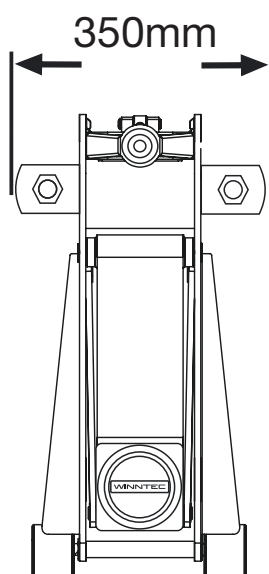
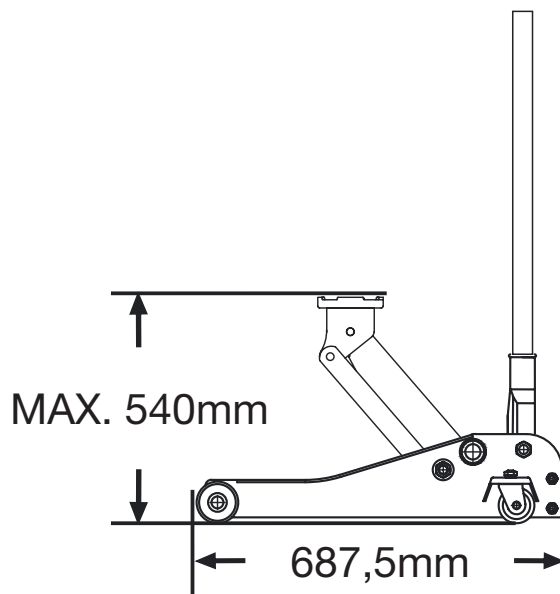
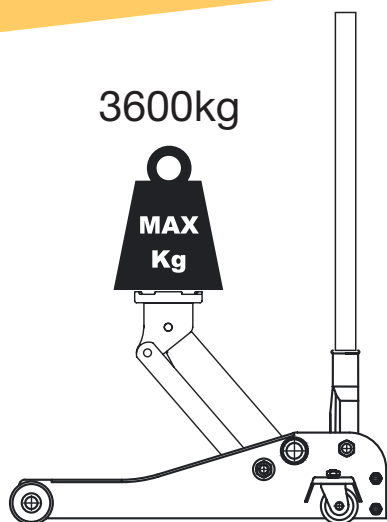
WARNINGS





HD-Series

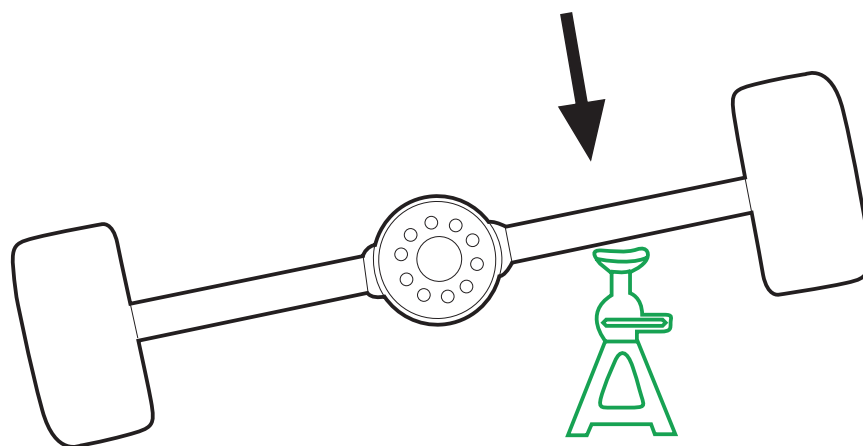
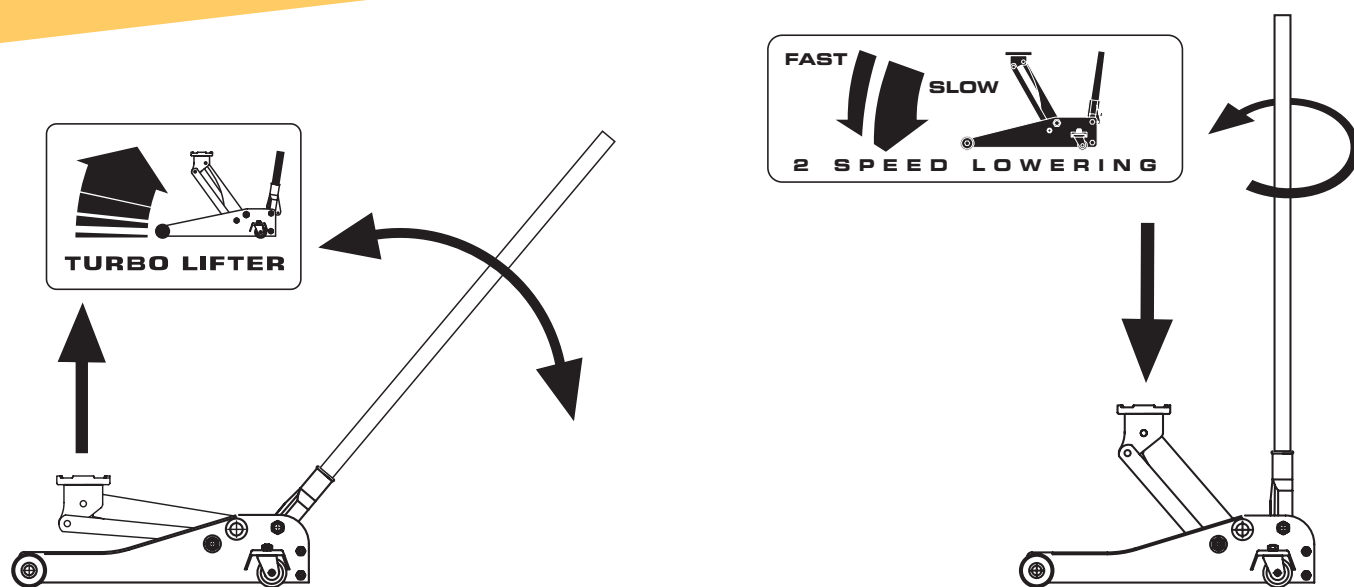
Manual Y420336





HD-Series

Manual Y420336

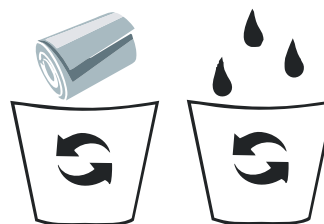
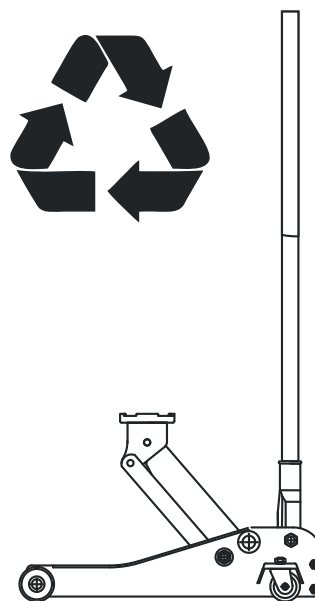
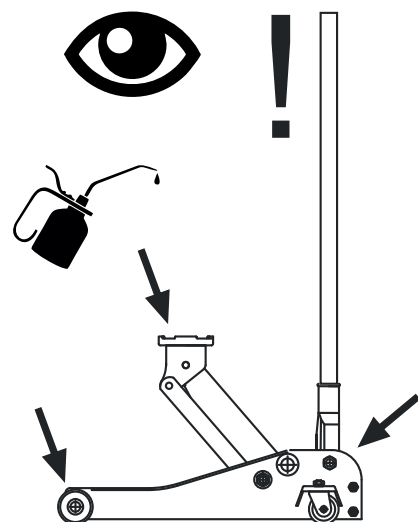
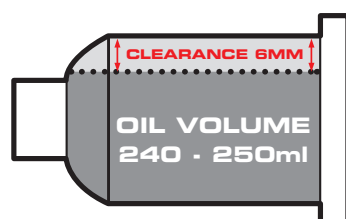
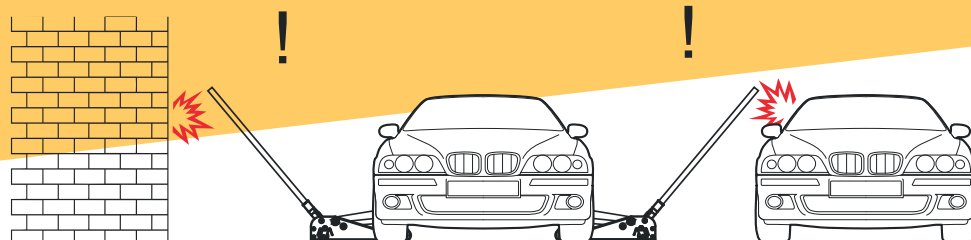


Y452300-Y452600-Y450301-Y451600



HD-Series

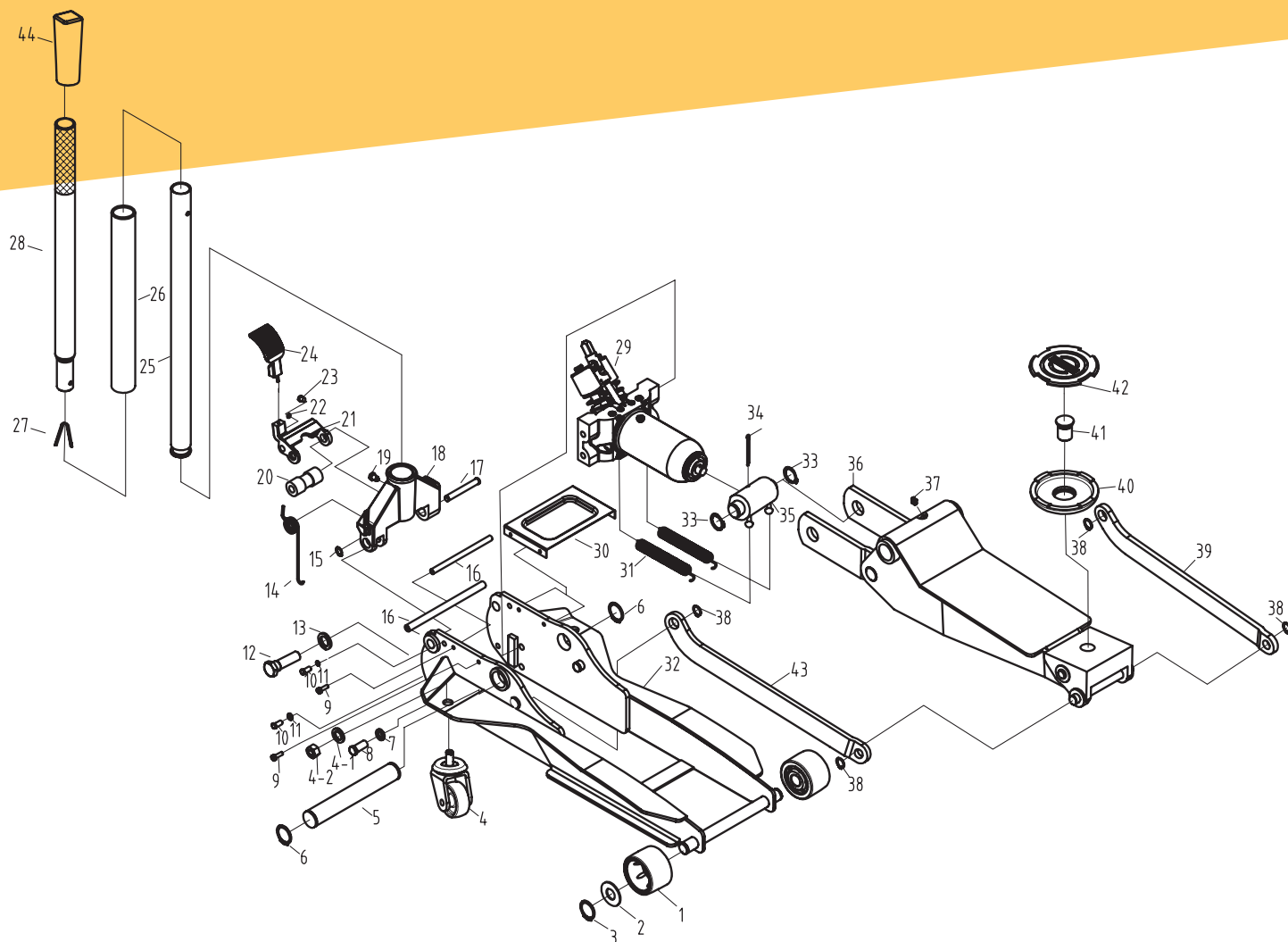
Manual Y420336





HD-Series

Spare parts Y420336



ART NR	DESCRIPTION	QTY	ART NR	DESCRIPTION	QTY	ART NR	DESCRIPTION	QTY
Y420336-1	FRONT WHEEL	2	Y420336-15	WASHER	1	Y420336-31	SPRING	2
Y420336-2	WASHER	2	Y420336-16	SHAFT	2	Y420336-32	FRAME	1
Y420336-3	WASHER	2	Y420336-17	PISTON ROLLER SHAFT	1	Y420336-33	SNAP RING	2
Y420336-4	REAR WHEEL	2	Y420336-18	HANDLE SOCKET	1	Y420336-34	PIN	1
Y420336-4-1	WASHER	2	Y420336-19	SCREW	1	Y420336-35	CONNECTING ROD	1
Y420336-4-2	NUT	2	Y420336-20	PISTON ROLLER	1	Y420336-36	LIFTING ARM	1
Y420336-5	AXLE OF LIFTING ARM	1	Y420336-21	PEDAL YOKE	1	Y420336-37	GREASE FITTING	1
Y420336-6	C-CLIP	2	Y420336-22	WASHER	1	Y420336-38	GASKET 16	4
Y420336-7	LOCK WASHER	4	Y420336-23	BOLT M6X16	1	Y420336-39	LEFT SIDE CONNECTING PLATE	1
Y420336-8	BOLT M10x25	4	Y420336-24	PEDAL	1	Y420336-40	SADDLE	1
Y420336-9	SCREW	4	Y420336-25	FRONT HANDLE	1	Y420336-41	SCREW	1
Y420336-10	BOLT M8X20	4	Y420336-26	HANDLE SLEEVE	1	Y420336-42	RUBBER PAD	1
Y420336-11	WASHER	4	Y420336-27	PIN	1	Y420336-43	RIGHT SIDE CONNECTING PLATE	1
Y420336-12	CONNECTING BOLT	2	Y420336-28	REAR HANDLE	1	Y420336-44	HANDLE GRIP	1
Y420336-13	WASHER	2	Y420336-29	HYDRAULIC UNIT	1			
Y420336-14	SPRING	1	Y420336-30	COVER BOARD	1			



HD-Series

Manual Y420336

F: DÉCLARATION DE CONFORMITÉ

Nous: Winntec
Adresse: Rechtzaad 6
4703 RC Roosendaal The Netherlands

déclarons sous notre seule responsabilité que les produits auxquels se réfère cette déclaration sont conformes aux dispositions des Directives: 2006/42/EC, EN 1494:2000+A1:2008

NL: VERKLARING VAN OVEREENKOMST

Wij: Winntec
Adres: Rechtzaad 6
4703 RC Roosendaal The Netherlands

verklaren geheel onder eigen verantwoordelijkheid dat de volgende producten, waarop deze verklaring betrekking heeft, in overeenstemming zijn met de bepalingen van Richtlijn: 2006/42/EC, EN 1494:2000+A1:2008

I: DICHIARAZIONE DI CONFORMITÀ

Noi: Winntec
Indirizzo: Rechtzaad 6
4703 RC Roosendaal The Netherlands

dichiariamo sotto la nostra esclusiva responsabilità che i prodotti ai quali questa dichiarazione si riferisce sono conformi a quanto previsto dalle direttive: 2006/42/EC, EN 1494:2000+A1:2008

E: DECLARACIÓN DE CONFORMIDAD

Nosotros: Winntec
Dirección: Rechtzaad 6
4703 RC Roosendaal The Netherlands

declaramos bajo nuestra exclusiva responsabilidad la conformidad de los productos a los que refiere esta declaración, con las disposiciones de Directiva: 2006/42/EC, EN 1494:2000+A1:2008

P: DECLARAÇÃO DE CONFORMIDADE

Nós: Winntec
Endereço: Rechtzaad 6
4703 RC Roosendaal The Netherlands

declaramos, sob nossa única responsabilidade, que os seguintes produtos, incluídos nesta declaração estão em conformidade com o disposto na Directiva: 2006/42/EC, EN 1494:2000+A1:2008

SE: FÖRSÄKRAN OM ÖVERENSSTÄMMELSE

Vi: Winntec
Adress: Rechtzaad 6
4703 RC Roosendaal The Netherlands

försäkrar under eget ansvar att följande produkter som omfattas av denna försäkran är i överensstämmelse med villkoren i direktiv: 2006/42/EC, EN 1494:2000+A1:2008

N: ERKLÆRING OM OVERENSSTEMMELSE

Vi: Winntec
Adresse: Rechtzaad 6
4703 RC Roosendaal The Netherlands

erklærer på eget ansvar, at følgende produkter som dekkes af denne erklæringen, er i overensstemmelse med bestemmelsene i Direktiv: 2006/42/EC, EN 1494:2000+A1:2008

DK: ÖVERENSSTEMMELSESERKLÄRING

Vi: Winntec
Adresse: Rechtzaad 6
4703 RC Roosendaal The Netherlands

erklærer på eget ansvar et følgende produkter som er omfattet af denne erklæring, er i overensstemmelse med bestemmelserne i Direktiv: 2006/42/EC, EN 1494:2000+A1:2008

Fin: ÖVERENSSTEMMELSESERKLÄRING

Me: Winntec
Osoite: Rechtzaad 6
4703 RC Roosendaal The Netherlands

vakuutamme yksinomaan omalia vastuullamme, että seuraavat tuotteet, joihin tämä vakuutus liittyy, ovat seuraavien direktiivien vaatimusten mukaisia: 2006/42/EC, EN 1494:2000+A1:2008

GB: DECLARATION OF CONFORMITY

We: Winntec
Address: Rechtzaad 6
4703 RC Roosendaal The Netherlands

declare under our sole responsibility that the following products to which this declaration relates conform with the provisions of Directives: 2006/42/EC, EN 1494:2000+A1:2008

D: KONFORMITÄT SERKLÄRUNG

Wir: Winntec
Anschrift: Rechtzaad 6
4703 RC Roosendaal The Netherlands

erklären auf eigene Verantwortung, daß folgende Produkte, auf die sich diese Erklärung bezieht, mit den Bedingungen der Direktiven: 2006/42/EC, EN 1494:2000+A1:2008



Typ,tyyppi,type,type,Typ,type,tipo,type,tipo: Y420336

Ralph Dubbeldam
Managing Director
Winntec, 2016-06-15
Roosendaal The Netherlands



HD-Series

Manual Y420336

UK: DECLARATION OF CONFORMITY

We: Winntec

Address: Rechtzaad 6
4703 RC Roosendaal The Netherlands

declare under our sole responsibility that the following products to which this declaration relates conform with the provisions of regulation(s): Supply of Machinery (Safety) Regulations 2008 and the harmonised standard(s): BS EN 1494:2000+A1:2008



Type: Y420336

Ralph Dubbeldam
Managing Director
Winntec, 2021-07-15
Roosendaal The Netherlands